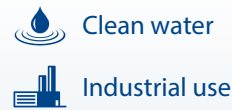


# PQ 3000

## Pump with peripheral impeller



### PERFORMANCE RANGE

- Flow rate up to **50 l/min** (3 m<sup>3</sup>/h)
- Head up to **180 m**

### APPLICATION LIMITS

- Manometric suction lift up to **8 m**
- Liquid temperature between **-10 °C** and **+90 °C**
- Ambient temperature between **-10 °C** and **+40 °C**
- Max. working pressure **18 bar**
- Continuous service **S1**

### CONSTRUCTION AND SAFETY STANDARDS

EN 60335-1  
IEC 60335-1  
CEI 61-150

EN 60034-1  
IEC 60034-1  
CEI 2-3



### CERTIFICATIONS

Company with management system certified DNV  
ISO 9001: QUALITY  
ISO 14001: ENVIRONMENT

### INSTALLATION AND USE

Suitable for use with clean water and with liquids that are not chemically aggressive towards the materials from which the pump is made. The hydraulic characteristics of this pump make it suitable for use in industrial applications.

The pump should be installed in an enclosed environment or sheltered from inclement weather.

### PATENTS - TRADE MARKS - MODELS

- Patent Pending n. 102015000012230
- Registered EU Design n. 002714469

### OPTIONS AVAILABLE ON REQUEST

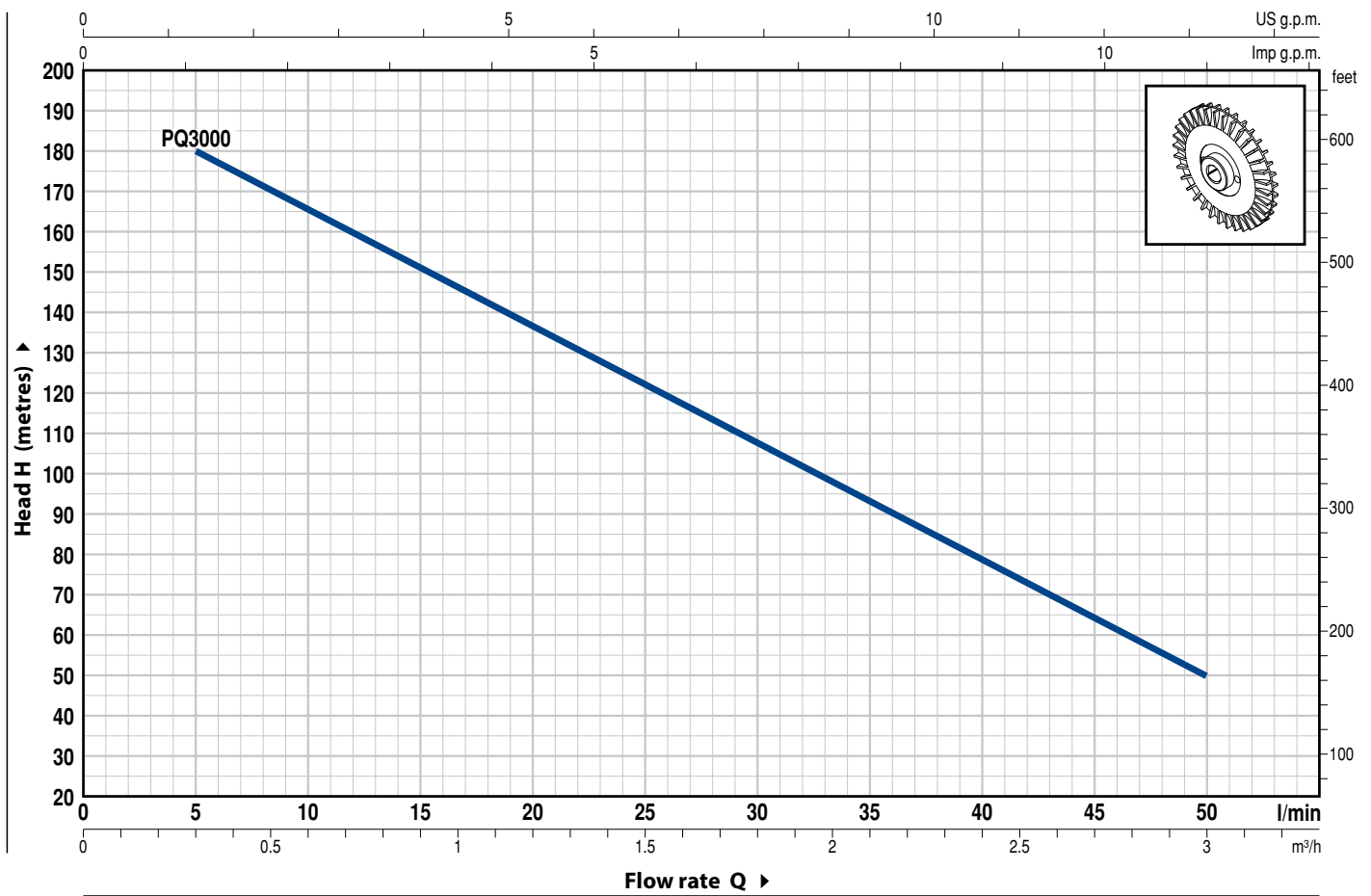
- Special mechanical seal
- EN 10088-3 - 1.4401 (AISI 316) stainless steel pump shaft
- Other voltages

### GUARANTEE

2 years subject to terms and conditions

## CHARACTERISTIC CURVES AND PERFORMANCE DATA

60 Hz n= 3450 rpm HS= 0 m



MODEL	POWER (P <sub>2</sub> )		Q	0.3	0.6	0.9	1.2	1.5	1.8	2.1	2.4	2.7	3.0
	kW	HP		l/min	5	10	15	20	25	30	35	40	45
<b>PQ 3000</b>	2.2	3	H metres	180	165	151	136.5	122	107.5	93	78.5	64	50

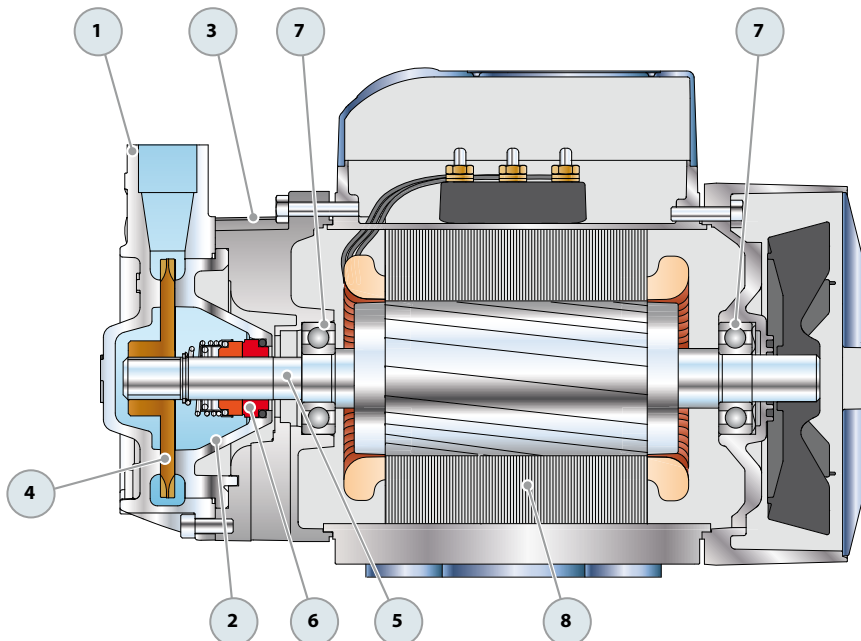
Q = Flow rate H = Total manometric head HS = Suction height

Tolerance of characteristic curves in compliance with EN ISO 9906 Grade 3B.

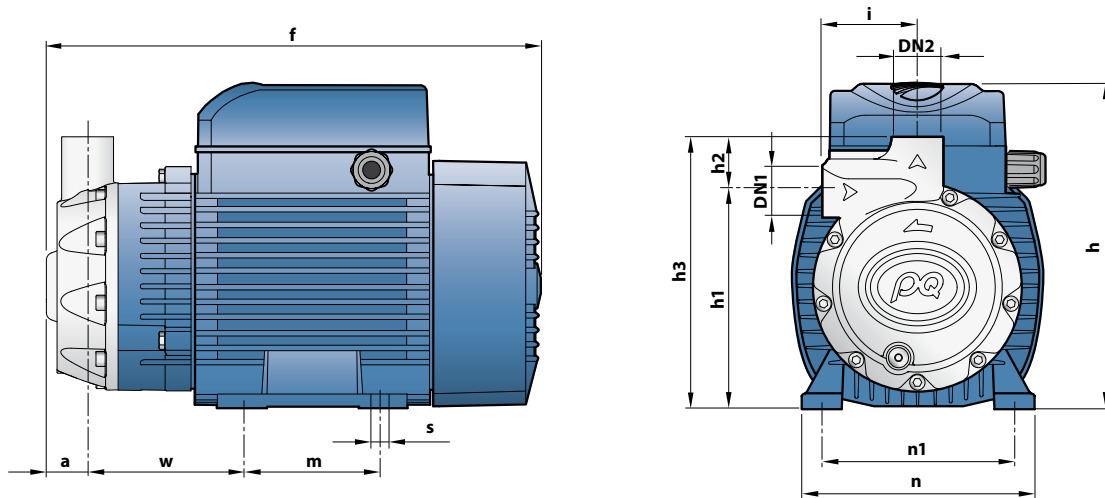
# PQ 3000

## POS. COMPONENT CONSTRUCTION CHARACTERISTICS

1	<b>PUMP BODY</b>	Stainless steel AISI 316 complete with threaded ports in compliance with ISO 228/1			
2	<b>PUMP BODY BACK PLATE</b>	Stainless steel AISI 316			
3	<b>MOTOR BRACKET</b>	Aluminium			
4	<b>IMPELLER</b>	Bronze with peripheral radial vanes			
5	<b>MOTOR SHAFT</b>	Stainless steel EN 10088-3 - 1.4104			
6	<b>MECHANICAL SEAL</b>	<b>Seal</b>	<b>Shaft</b>	<b>Materials</b>	
		<i>Model</i>	<i>Diameter</i>	<i>Stationary ring</i>	<i>Rotational ring</i>
		<b>FN-18 NU</b>	<b>Ø 18 mm</b>	Graphite	Ceramic
					<i>Elastomer</i>
					NBR
7	<b>BEARINGS</b>	<b>6204 ZZ - C3 / 6204 ZZ - C3</b>			
8	<b>ELECTRIC MOTOR</b>	<b>PQ 3000:</b> three-phase 220/380 V - 60 Hz. <b>⇒ The pump is fitted with a high performance motor in class IE3 (IEC 60034-30)</b> – Insulation: class H – Protection: IP X5			



## DIMENSIONS AND WEIGHT



MODEL	PORTS		DIMENSIONS mm												kg
	DN1	DN2	a	f	h	h1	h2	h3	i	m	n	n1	w	s	
PQ 3000	3/4"	3/4"	28	327	212	142	36	178	62	100	164	125	100.5	9	<b>17.2</b>

## ABSORPTION

MODEL	VOLTAGE	
	Three-phase	220 V
PQ 3000	<b>14.0 A</b>	<b>8.0 A</b>